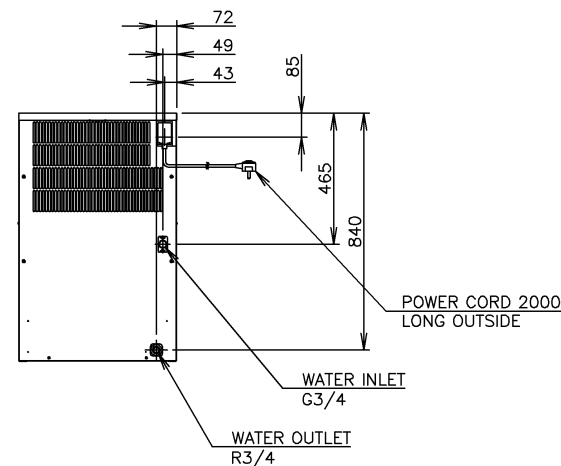
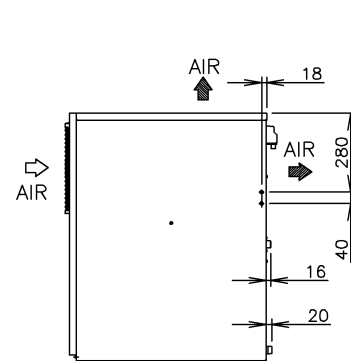
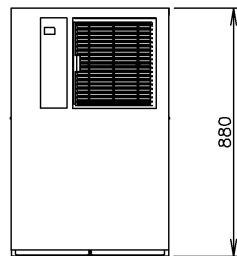
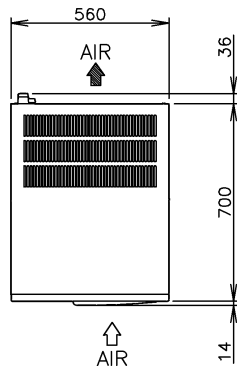


1. Install the ice maker properly in accordance with the instructions on location, water supply/drain connections and electrical connections stated in the instruction and installation manuals provided. Allow 10mm extra space at the installation site to meet any installation requirements (additional spacing is also required for proper air flow and water connections).
2. The ice production depends on the ambient and water temperatures. Refer to the instruction manual.
3. Product code: E1CP



ITEM	Hoshizaki Cube Ice Maker	
MODEL	IM-240ANE	
AC SUPPLY VOLTAGE	1 PHASE 220-240V 50Hz	
AMPERAGE	6.6A (AT.32°C, WT.21°C)	
STARTING AMPERAGE	31A	
ELECTRIC CONSUMPTION	1320W (AT.32°C, WT.21°C)	
POWER FACTOR	83%	
POWER SUPPLY CAPACITY	Min. 2.1KVA (8.8A)	
ICE PRODUCTION PER 24h	Approx. 220(5mm)/240(15mm)kg (AT.10°C, WT.10°C) Approx. 205(5mm)/230(15mm)kg (AT.21°C, WT.15°C) Approx. 160(5mm)/190(15mm)kg (AT.32°C, WT.21°C)	
WATER CONSUMPTION PER 24h	Approx. 0.73m ³ (AT.10°C, WT.10°C) Approx. 0.36m ³ (AT.21°C, WT.15°C) Approx. 0.28m ³ (AT.32°C, WT.21°C)	
SHAPE OF ICE	Cube Approx. 28×28×32mm	
FREEZE CYCLE TIME	Approx. 20min (AT.21°C, WT.15°C)	
ICE PRODUCTION PER CYCLE	Approx. 3.2kg/140.pcs (AT.21°C, WT.15°C)	
DIMENSIONS	560mm(W)×700mm(D)×880mm(H)	
EXTERIOR	Stainless Steel	
CONNECTIONS-ELECTRIC	X-Type Con. (with CONT. Plug)	
CONNECTIONS-WATER SUPPLY	Inlet G3/4 (connected at rear side)	
CONNECTIONS-DRAIN	Outlet R3/4 (connected at rear side)	
ICE MAKING SYSTEM	Cell type	
HARVESTING SYSTEM	Hot Gas Defrost	
COMPRESSOR	Hermetic	
CONDENSER	Air-cooled, Fin and Tube type	
HEAT REJECTION	2750W(2365kcal/h) (AT.32°C, WT.21°C)	
EVAPORATOR	Copper Tube on Sheet and Cells	
REFRIGERANT CONTROL	Thermostatic Expansion Valve	
REFRIGERANT CHARGE	R404A	
ICE MAKING CONTROL SYSTEM	Thermistor, Timer	Controller Board
HARVESTING CONTROL SYSTEM	Thermistor	
BIN CONTROL SYSTEM	Microswitch with Time Delay	
ICE MAKING WATER CONTROL SYSTEM	Timer, Water Pan's movement	
ELECTRICAL PROTECTION	Class I Appliance, 5A Fuse	
COMPRESSOR PROTECTION	Auto-reset Overload Protector	
ICE MAKER PROTECTION	Interlock by Controller Board	
WEIGHT	Net weight 80kg/Gross weight 91kg	
PACKAGE	Carton 680mm(W)×820mm(D)×1065mm(H)	
ACCESSORIES	Scoop, Installation Kit, Ice Chute	
OPERATING CONDITIONS	Ambient Temp.: 1 - 40° C, Water Supply Temp.: 5-35°C Water Supply Pressure: 0.7-7.8bar(0.07-0.78MPa) Voltage Range: Rated Voltage±6%	

■ We reserve the right to make changes in specifications and design without prior notice.

HOSHIZAKI CUBE ICE MAKER IM-240ANE

APPROVED NOTSU.M	CHECKED MIYAZAKI	DESIGNED ISHITOMI	DRAWN WATANABE	SCALE 1/20	TRIGONOMETRY
*	*	△	****	DATE 2011.03.10	DRAWING NO. D08218
APPROVED	DESIGNED	SYMBOL	DATE		SYMBOL △