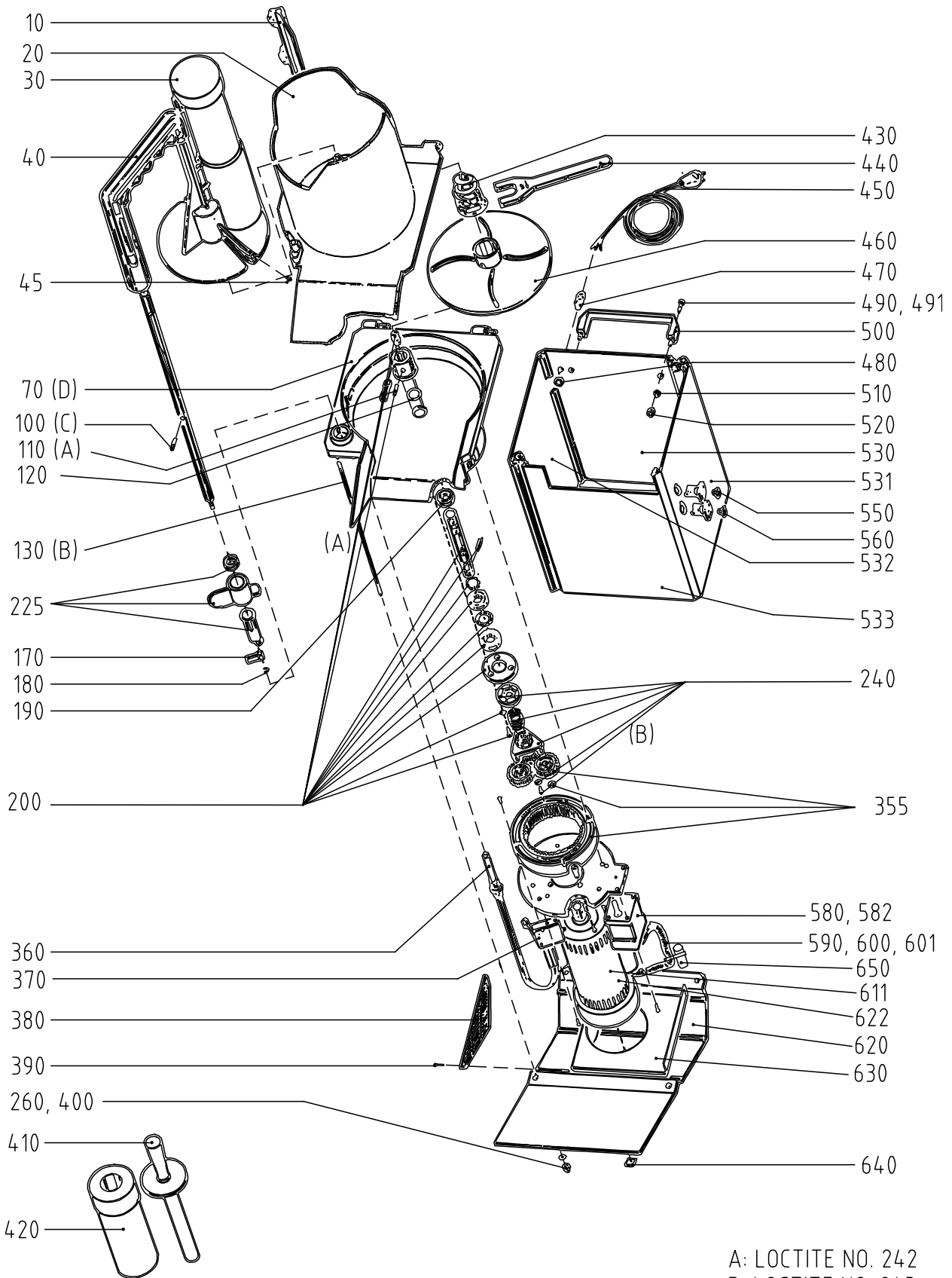


RG-200



A: LOCTITE NO. 242
B: LOCTITE NO. 243
C: LOCTITE NO. 270

D: SILICONE RTV 108 ALL THE WAY AROUND HOUSING

RG-200

No. on drawing	Item No.	Description	Pcs
10	1171	Partition wall compl.	1
20	1188	Feed cylinder compl.	1
30	83038	Pestle	1
40	1180	Feeder plate compl. incl shaft	1
45	40839	Slide knob	1
70	1407	Knife chamber RG-200	1
100	1290	Guide pin	1
110	3152	Carrier pin for ejector plate	2
120	10262	Seal ring V-18S	1
130	1039	Screw L=316	4
170	1073	Activator CE/ STD	1
180	10275	Locking washer RS 4	1
190	10259	Rubber seal washer 18X30X7	1
200	1402	Knife shaft kompl RG-200/ RG-250	1
225	1091	Locking handle compl.	1
240	1403	Brake kompl. RG-100/200/250.	1
260	14085	Lock washer FBB 5,1 A2	8
355	1098	Planetwheels and gearing kit	1
360	15354	Magnetic switch HM-S-16	1
370	1584	Micro switch unit	1
380	1096	Louver kit	1
390	14248	Screw KFX-H ST3,5X9,5 A2 70	6
400	1267	Nut,domed head M5	4
410	81066	Pestle	1
420	1155	Tube	1
430	1172	Decoring device	1
440	1184	Wrench for decoring device	1
450	15377	Supply cord BS/2.5MS UK	1
450	15278	Suply cord 439/2.4MG SJT	1
450	15147	Supply cord CB 1 phase RG-100/200/250/350/VCB-61/VCM-41	1
460	1159	Ejector plate	1
470	15688	Cable retainer, PG9 (8)	1
480	15692	Nut PG 9 plastic	1
490	14374	Screw MCS M8X20 A2 70	2
491	10306	Plug	2
500	10043	Handle M443/140	1
510	14088	Lock washer FBB 8.2 A2	2
520	14008	Nut M6M M8 A2 70	2
530	1365	Machine casing back part	1
531	1362	Machine casing right part	1
532	1364	Machine casing left part	1
533	1363	Machine casing front part	1
550	15657	Push button o compl.	1
560	15440	Push button 1 complete	1
580	15813	Contacto 11BG0910A110	1
582	15810	Contacto 11BG0610A230	3
590	15384	Fuse T100MA	1
600	1056	Cablage AWG18	1
601	15385	Fuse holder	1
611	15754	Motor 240 1 50	1
611	15755	Motor 110/120 1 60	1
611	15752	Motor RG-100,400 3 50	1
620	1095	Base plate compl.	1
622	15397	Capacitor for motor 220/240v	1
630	1170	Fan plate	1
640	10273	Rubber foot SJ 5023 black	4
650	15111	RC-circuit 110v	1
650	15110	RC-circuit 230v	1