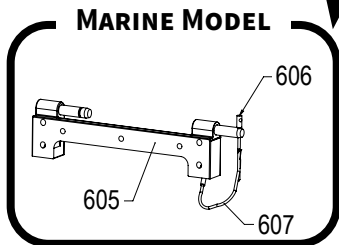
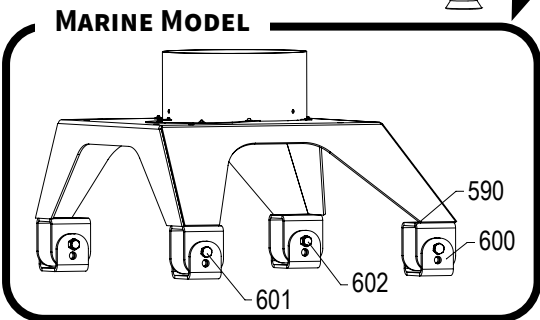
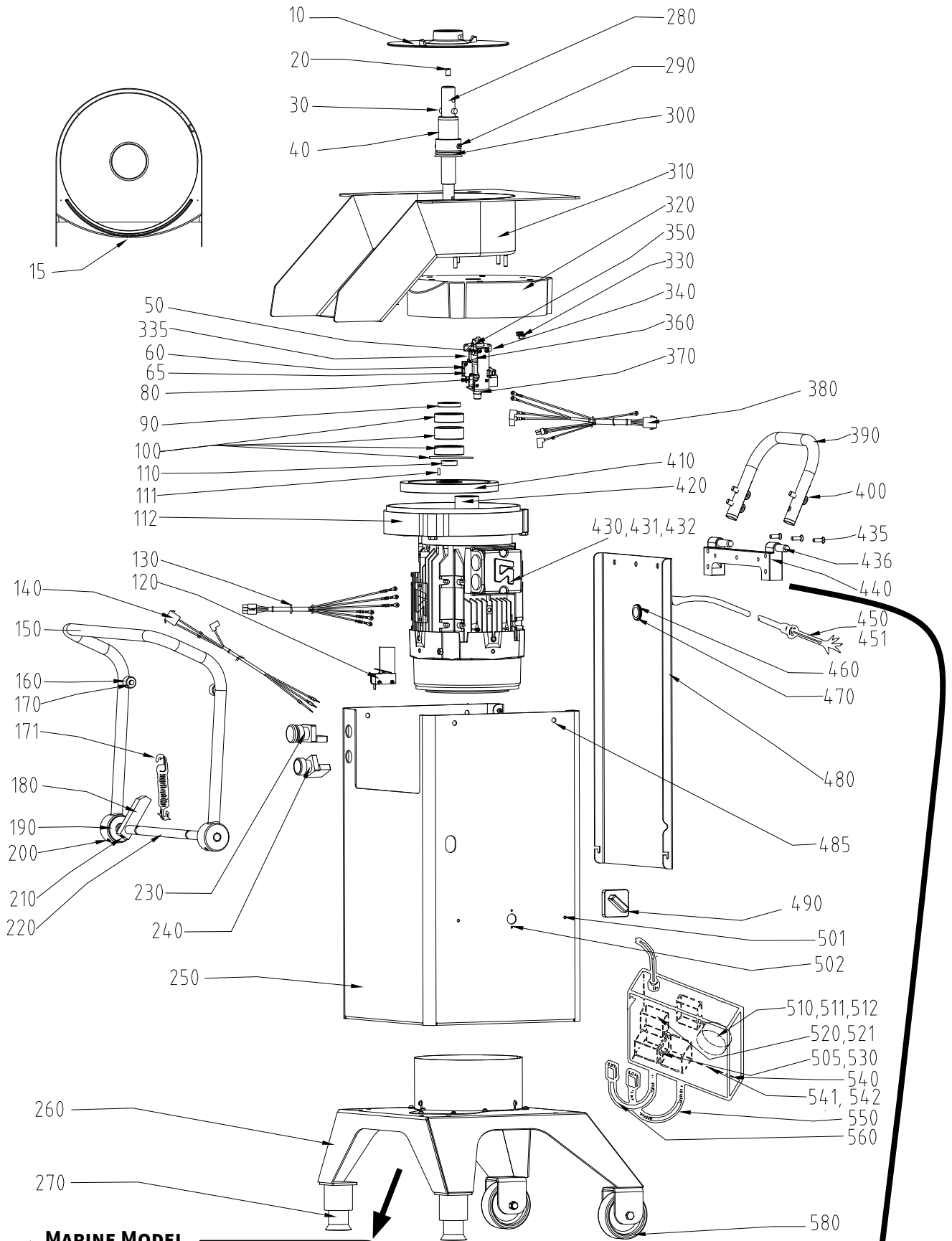


RG-400i



## RG-400i

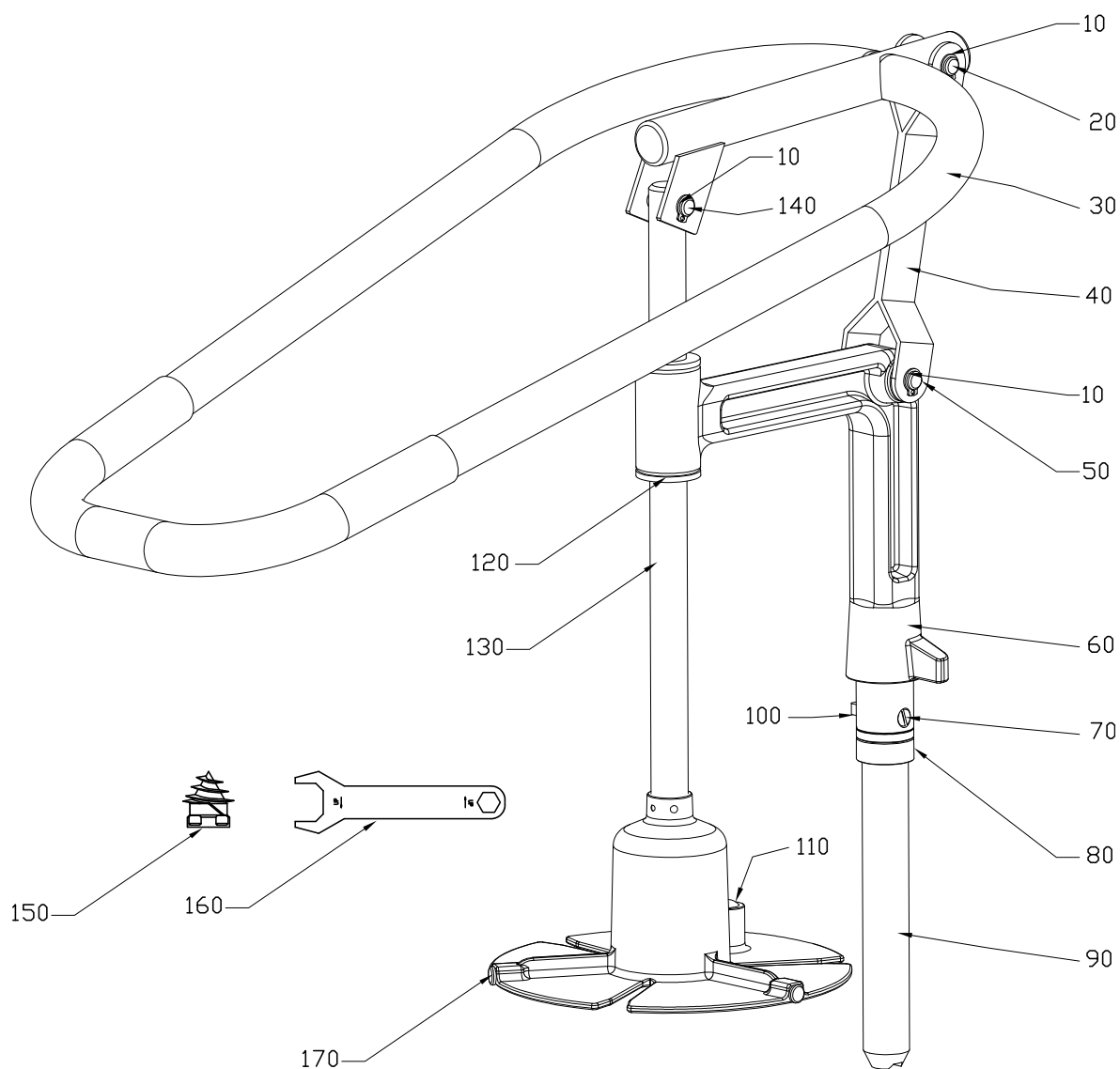
| No. on drawing | Item No. | Description                    | Pcs |
|----------------|----------|--------------------------------|-----|
| 10             | 37042    | Ejector plate                  | 1   |
| 20             | 14844    | Locking screw PSS M8X 12 A2 70 | 1   |
| 30             | 40548    | Carrier pin                    | 1   |
| 40             | 37389    | sleeve                         | 1   |
| 50             | 14853    | Screw MRT M4X6 A2              | 4   |
| 60             | 37215    | Micro switch unit kompl.       | 1   |
| 65             | 37245    | Micro switch XGT2C-86-Z1       | 1   |
| 80             | 10324    | Spring, safety switch 22510    | 1   |
| 90             | 10318    | Seal ring 25X40X7              | 1   |
| 100            | 37152    | Ball bearings kompl.           | 1   |
| 110            | 3056     | Spacer ring 20/28              | 1   |
| 111            | 10321    | Key PKR 6X6X16                 | 1   |
| 112            | 37158    | Motor bearer complete          | 1   |
| 120            | 37157    | Micro switch complete          | 1   |
| 130            | 3194     | Wiring loom motor              | 1   |
| 140            | 37135    | Wiring loom machine            | 1   |
| 150            | 37017    | Lock handle                    | 1   |
| 160            | 37217    | Roller locking handle          | 2   |
| 170            | 10326    | Lock ring SGA 8 SS             | 2   |
| 171            | 3111     | Tension spring                 | 2   |
| 180            | 3108     | Stopper for lock handle        | 1   |
| 190            | 3089     | Bushing for lock handle        | 2   |
| 200            | 14849    | Screw TSS 8X25 A2 70           | 2   |
| 210            | 14845    | Screw TSS 8X15 A2 70           | 1   |
| 220            | 37020    | Shaft lock handle              | 1   |
| 230            | 15439    | Push button o complete         | 1   |
| 240            | 15440    | Push button 1 complete         | 1   |
| 250            | 37075    | Machine housing front part     | 1   |
| 260            | 37052    | Base                           | 1   |
| 270            | 37154    | Feet complete                  | 1   |
| 280            | 37072    | Knife shaft complete           | 1   |
| 290            | 37059    | Carrier pin for ejector plate  | 2   |
| 300            | 10311    | Seal ring V-35S                | 1   |
| 310            | 37001    | Knife chamber                  | 1   |
| 320            | 37006    | Gearbox top                    | 1   |
| 330            | 14006    | Nut M6M M6 A2 70               | 6   |
| 335            | 10539    | O-ring 21.1X1.6                | 1   |
| 340            | 37047    | Casing for switch              | 1   |
| 350            | 10325    | Seal ring 17.1X1.6             | 2   |
| 360            | 37172    | Shaft safety switch            | 1   |
| 370            | 37250    | Bushing                        | 1   |
| 380            | 37109    | Wiring loom, machine           | 1   |
| 390            | 3110     | Handle knifechamber            | 1   |
| 400            | 14375    | Screw MCS M8X25 A2 70          | 4   |
| 410            | 37156    | Gear wheel 173.2 complete      | 1   |
| 420            | 37155    | Gear wheel 53.6 complet        | 1   |
| 430            | 15435    | Motor 400-415 3 50             | 1   |
| 431            | 15433    | Motor 220 3 50 4-8 RG-400      | 1   |
| 432            | 15432    | Motor 208-220 3 60 UL          | 1   |
| 435            | 14269    | Screw MKFS M6X25 A2 70         | 3   |
| 436            | 37171    | Seal ring                      | 1   |
| 440            | 37018    | Hinge                          | 1   |
| 450            | 15144    | Supply cord CB 3 phse          | 1   |
| 451            | 3193     | Supply cord US                 | 1   |
| 460            | 15381    | Cable ret PR 22.5 dia 15       | 1   |
| 470            | 15443    | Nut PR 22.5/PG16 metal         | 1   |
| 480            | 37023    | Machine housing back part      | 1   |

**RG-400i**

| No. on drawing | Item No. | Description                    | Pcs |
|----------------|----------|--------------------------------|-----|
| 485            | 14464    | Screw LSKS M6X16               | 4   |
| 490            | 15442    | Pole changing switch incl knob | 1   |
| 501            | 14428    | Screw M4x20 A2 70              | 2   |
| 502            | 14853    | Screw MRT M4X6 A2              | 2   |
| 505            | 15718    | Varistor S20K510               | 1   |
| 510            | 15589    | Transformer 208-240v 22-26v UL | 1   |
| 511            | 15611    | Transformer 400/380V-24 50VA   | 1   |
| 512            | 15689    | Transf. 440-415V 24 100VA 80C  | 1   |
| 520            | 15814    | Overl. rel. RF12400            | 1   |
| 521            | 15816    | Overload RF120630              | 1   |
| 530            | 15825    | Contactoer 11BG0910A024        | 2   |
| 540            | 15587    | Box CT-841                     | 1   |
| 541            | 15152    | Fuse                           | 1   |
| 542            | 15672    | Insulation Sleeve 6.3-0.8 Flag | 1   |
| 550            | 3195     | Wiring loom pole changing      | 1   |
| 15             | 37297    | Tray                           | 1   |
| 560            | 3192     | Wiring loom electrical box     | 1   |
| 580            | 37153    | Wheel complete                 | 1   |
| 590            | 37501    | Base Marine                    | 1   |
| 600            | 37503    | Weld plate                     | 4   |
| 601            | 14553    | Screw M6S M8X70 A2 70          | 4   |
| 602            | 14028    | Nut MHM M8                     | 4   |
| 605            | 37509    | Hinge Marine                   | 1   |
| 606            | 37511    | Hinge locking pin              | 1   |
| 607            | 37513    | Wire                           | 1   |

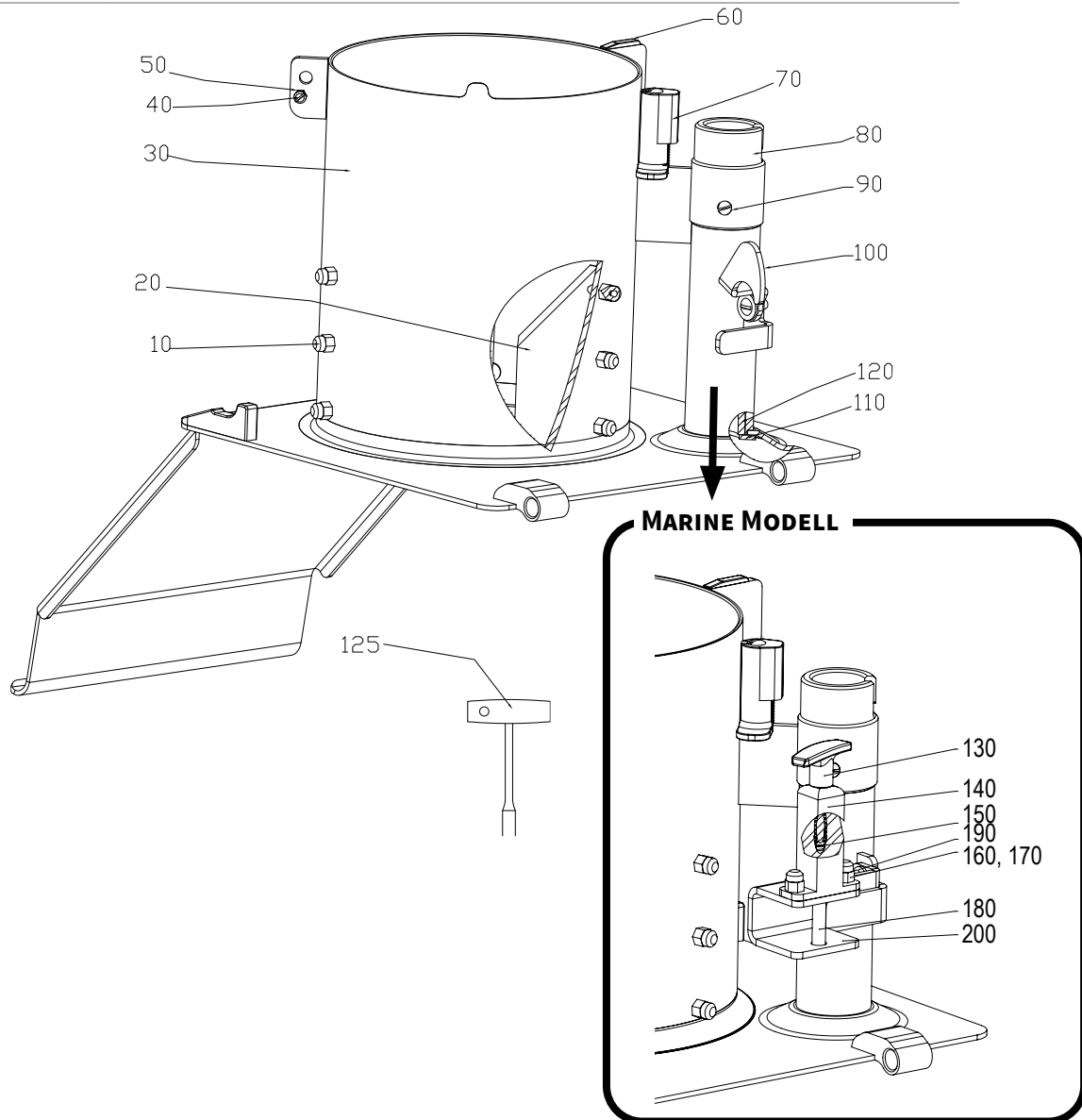
## RG-400i/ RG-400 MANUAL PUSH FEEDER, ERGO LOOP

| No. on drawing | Item No. | Description                  | Pcs |
|----------------|----------|------------------------------|-----|
| 10             | 10335    | Lock ring SGA 10             | 6   |
| 20             | 3298     | Pivot L=38                   | 1   |
| 30             | 33431    | Push handle Ergo             | 1   |
| 40             | 3066     | Link                         | 1   |
| 50             | 3297     | Pivot L=51                   | 1   |
| 60             | 37148    | Stand complete               | 1   |
| 70             | 14149    | Screw MFS M5X16              | 1   |
| 80             | 37244    | Bushing                      | 1   |
| 90             | 37160    | Shaft stand                  | 1   |
| 100            | 3212     | Pin for stand L=28           | 1   |
| 110            | 10452    | Plug SFL 14                  | 1   |
| 120            | 3074     | Bushing for stand            | 2   |
| 130            | 37061    | Feeder plate including shaft | 1   |
| 140            | 3299     | Pivot L=34                   | 1   |
| 150            | 3129     | Decorating device 3ph        | 1   |
| 160            | 3162     | Wrench                       | 1   |
| 170            | 3257     | Guide knob                   | 3   |



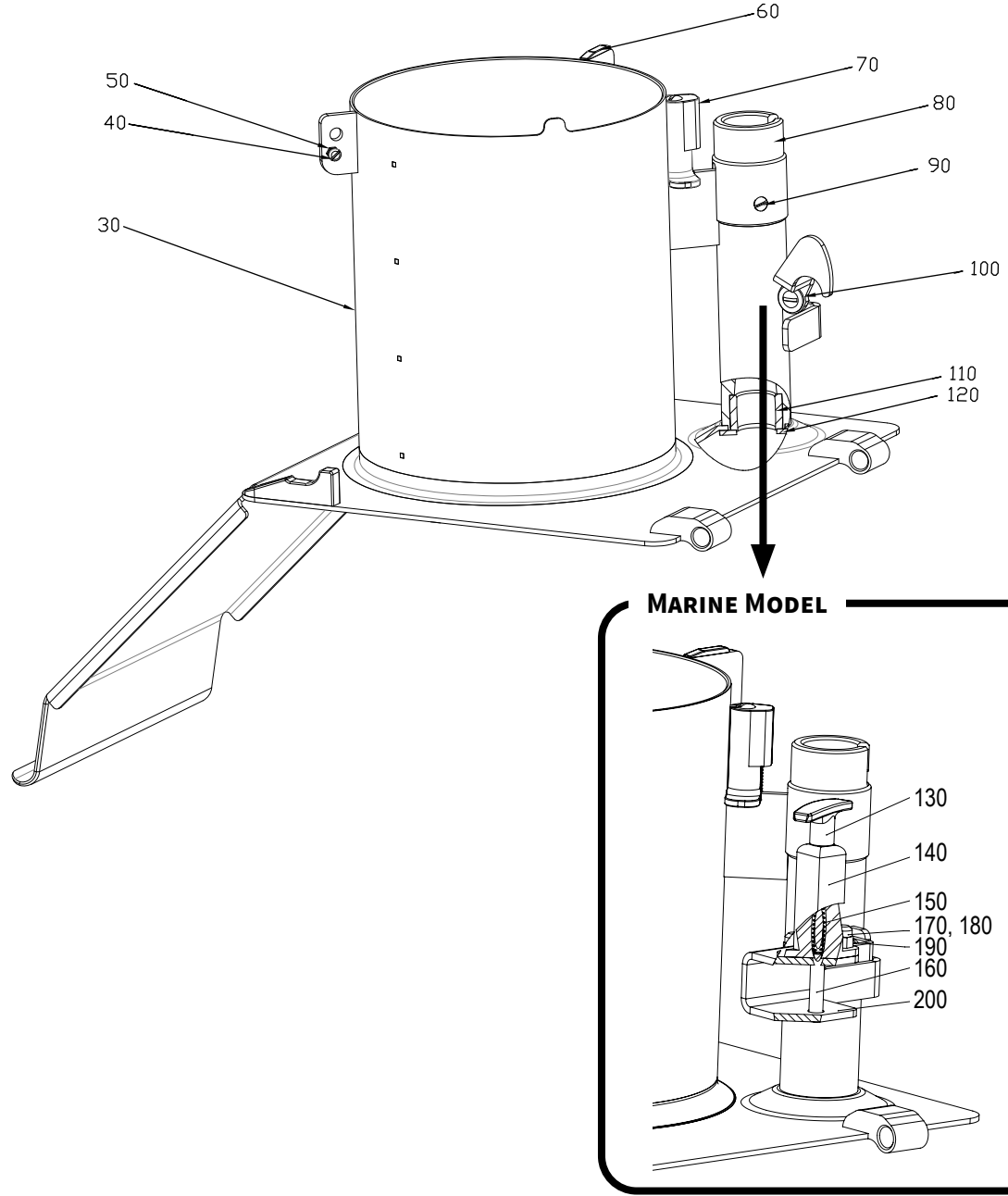
**RG-400i FEED CYLINDER A**

| No. on drawing | Item No. | Description             | Pcs |
|----------------|----------|-------------------------|-----|
| 10             | 3233     | Nut M5                  | 9   |
| 20             | 3134     | Knife                   | 3   |
| 30             | 37024    | Feed cylinder RG400i    | 1   |
| 40             | 14326    | Screw MCS M4X16         | 1   |
| 50             | 14004    | Nut M6M M4 A2 70        | 1   |
| 60             | 37097    | Slide knob              | 1   |
| 70             | 37149    | Stopper complete        | 1   |
| 80             | 3253     | Bayonet sleeve          | 1   |
| 90             | 14243    | Screw MKFS M5X10        | 2   |
| 100            | 37162    | Locking clutch complete | 1   |
| 110            | 37151    | Bushing holder complete | 1   |
| 120            | 37243    | Bushing                 | 1   |
| 125            | 10521    | Socket wrench NV10      | 1   |
| 130            | 37507    | T handle                | 1   |
| 140            | 37505    | Locking house           | 1   |
| 150            | 37508    | Spring                  | 1   |
| 160            | 14148    | Screw MFS M5X14         | 2   |
| 170            | 3233     | Nut M5                  | 2   |
| 180            | 37506    | Locking pin             | 1   |
| 190            | 14362    | Screw MCS M6x8 A4       | 2   |
| 200            | 37512    | Holder Marine           | 1   |
| 210            | 37022    | Locking distance        | 2   |
| 220            | 14121    | Screw MFS M4X6 A2 70    | 4   |

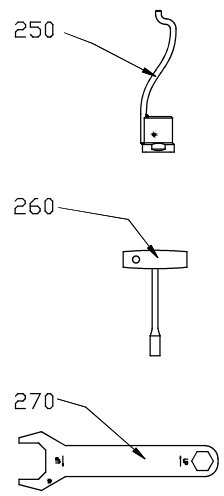
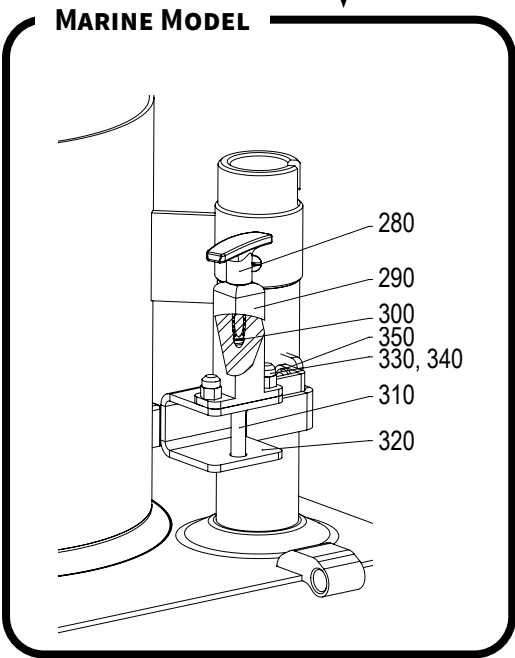
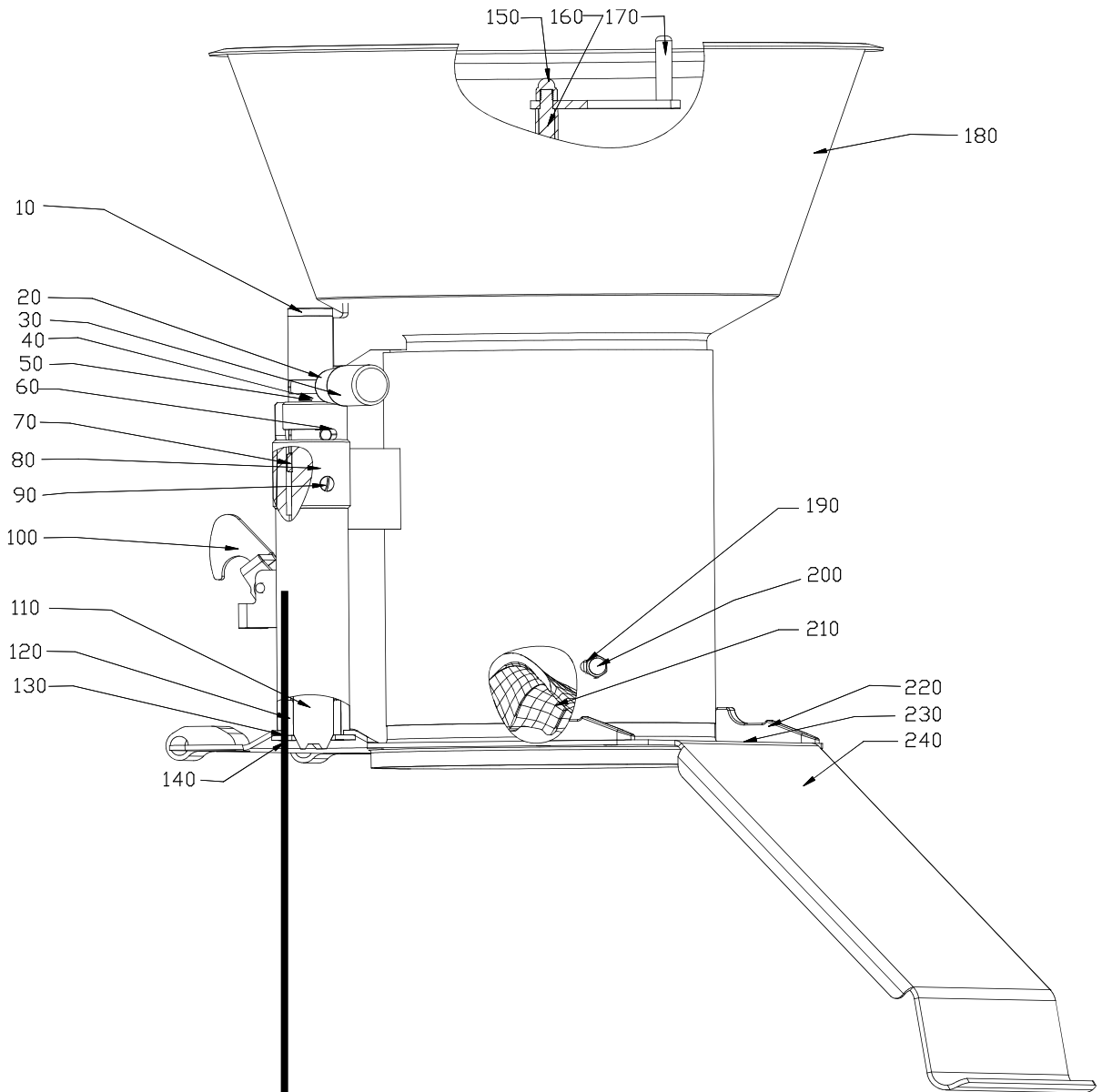


## RG-400i FEED CYLINDER B

| No. on drawing | Item No. | Description                 | Pcs |
|----------------|----------|-----------------------------|-----|
| 30             | 37204    | Manual feed cylinder RG400i | 1   |
| 40             | 14326    | Screw MCS M4X16             | 1   |
| 50             | 14004    | Nut M6M M4 A2 70            | 1   |
| 60             | 37097    | Slide knob                  | 1   |
| 70             | 37149    | Stopper complete            | 1   |
| 80             | 3253     | Bayonet sleeve              | 1   |
| 90             | 14243    | Screw MKFS M5X10            | 2   |
| 100            | 37162    | Locking clutch complete     | 1   |
| 110            | 37243    | Bushing                     | 1   |
| 120            | 37151    | Bushing holder complete     | 1   |
| 130            | 37507    | T handle                    | 1   |
| 140            | 37505    | Locking house               | 1   |
| 150            | 37508    | Spring                      | 1   |
| 160            | 37506    | Locking pin                 | 1   |
| 170            | 14148    | Screw MFS M5X14             | 2   |
| 180            | 3233     | Nut M5                      | 2   |
| 190            | 14362    | Screw MCS M6x8 A4           | 2   |
| 200            | 37512    | Holder Marine               | 1   |
| 210            | 37022    | Locking distance            | 2   |
| 220            | 14121    | Screw MFS M4X6 A2 70        | 4   |



RG-400i FEED HOPPER



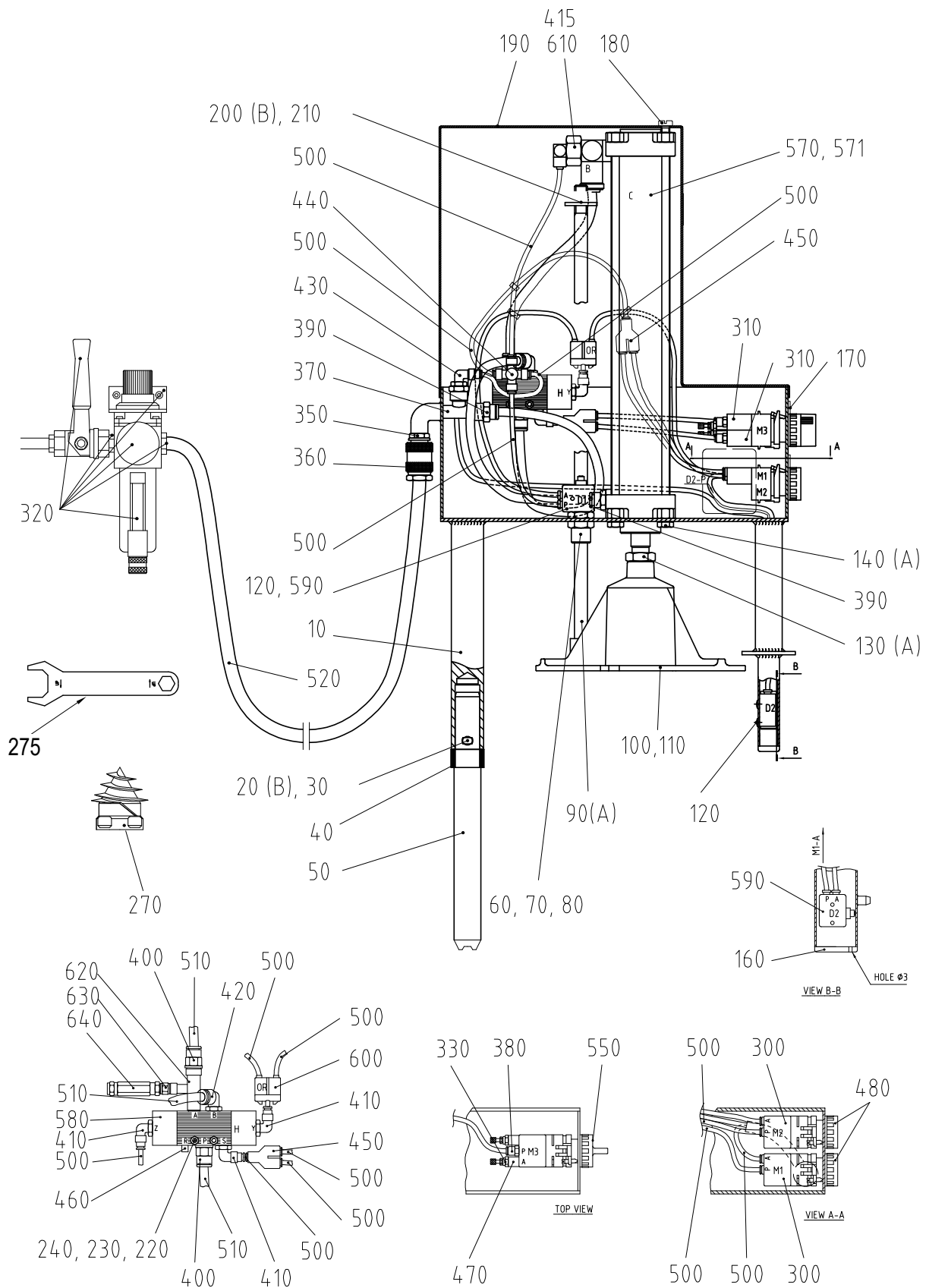
**RG-400i FEED HOPPER**

| No. on drawing | Item No. | Description                 | Pcs |
|----------------|----------|-----------------------------|-----|
| 10             | 10345    | Plug GL 28 black            | 1   |
| 20             | 3149     | Stud screw                  | 1   |
| 30             | 10343    | Handle I280/65-M8           | 1   |
| 40             | 10453    | Spring 1X5X17               | 1   |
| 50             | 10454    | Ball RB-6.35                | 1   |
| 60             | 3131     | Bayonet pin                 | 1   |
| 70             | 3266     | Bushing                     | 1   |
| 80             | 3253     | Bayonet sleeve              | 1   |
| 90             | 14243    | Screw MKFS M5X10            | 2   |
| 100            | 37162    | Locking clutch complete     | 1   |
| 110            | 37226    | Shaft w. bushing            | 1   |
| 120            | 37243    | Bushing                     | 1   |
| 130            | 37100    | Bushing holder              | 1   |
| 140            | 14101    | Screw                       | 3   |
| 150            | 14028    | Nut MHM M8                  | 1   |
| 160            | 3246     | Stirrer for hopper          | 1   |
| 170            | 3311     | Agitator arm                | 1   |
| 180            | 33328    | Hopper insert complete      | 1   |
| 190            | 14026    | Domed head nut MHM M6       | 4   |
| 200            | 14865    | Stud screw SK6SS A4         | 4   |
| 210            | 37081    | Guide                       | 2   |
| 220            | 37022    | Locking distance            | 2   |
| 230            | 14121    | Screw MFS M4X6 A2 70        | 4   |
| 240            | 37103    | Feed cylinder for hopper RF | 1   |
| 250            | 3249     | Agitator device complete    | 1   |
| 260            | 10521    | Socket wrench NV10          | 1   |
| 270            | 3162     | Wrench                      | 1   |
| 280            | 37507    | T handle                    | 1   |
| 290            | 37505    | Locking house               | 1   |
| 300            | 37508    | Spring                      | 1   |
| 310            | 37506    | Locking pin                 | 1   |
| 320            | 37512    | Holder Marine               | 1   |
| 330            | 14148    | SCREW MFS M5X14             | 2   |
| 340            | 3233     | Nut M5                      | 2   |
| 350            | 14362    | Screw MCS M6x8 A4           | 2   |



**RG-400i / RG-400 PNEUMATIC PUSH FEEDER**

| No. on drawing | Item No. | Description        | Pcs |
|----------------|----------|--------------------|-----|
| 10             | 3098     | Stand              | 1   |
| 20             | 3212     | Pin for stand L=28 | 1   |
| 30             | 14149    | Screw MFS M5X16    | 1   |
| 40             | 37244    | Bushing            | 1   |
| 50             | 37160    | Shaft stand        | 1   |



THREAD LOCKING COMPOUND: LOCTITE 577

A: LOCTITE NO.242  
 B: LOCTITE NO.243

**RG-400i / RG-400 PNEUMATIC PUSH FEEDER**

| No. on drawing | Item No. | Description                    | Pcs |
|----------------|----------|--------------------------------|-----|
| 60             | 3106     | Bearing holder                 | 1   |
| 70             | 10348    | Bushing PM12/14X15DX           | 2   |
| 80             | 3101     | Nut M18                        | 1   |
| 90             | 3080     | Operation rod                  | 1   |
| 100            | 37040    | Piston                         | 1   |
| 110            | 3257     | Guide knob                     | 3   |
| 120            | 14224    | Screw MKFS M4X12               | 4   |
| 130            | 3295     | Nut M16X1,5 low                | 1   |
| 140            | 14542    | Screw M6S M8X16H A2 70         | 4   |
| 160            | 10329    | Plug IR20/40/1,5 S             | 1   |
| 170            | 10367    | Sign 1-3-2                     | 1   |
| 180            | 14374    | Screw MCS M8X20 A2 70          | 1   |
| 190            | 3099     | Cap                            | 1   |
| 200            | 14012    | Nut M6M M12                    | 1   |
| 210            | 3105     | Thrust washer                  | 1   |
| 220            | 14230    | Screw MKFS M4X30               | 2   |
| 230            | 14004    | Nut M6M M4 A2 70               | 3   |
| 240            | 14084    | Lock washer FBB 4.1 A2         | 2   |
| 270            | 3129     | Decoring device 3ph            | 1   |
| 275            | 3162     | Wrench                         | 1   |
| 300            | 10109    | Valve 234-000                  | 2   |
| 310            | 10354    | Valve 245 000                  | 2   |
| 320            | 10392    | Regulator Compl.               | 1   |
| 330            | 10356    | Valve reducer MCO-702-M5       | 2   |
| 350            | 10112    | Adaptor 5180 1/4               | 1   |
| 360            | 10357    | Quick connector 5084-10/8      | 1   |
| 370            | 10120    | Tee niple 1/4                  | 1   |
| 380            | 10358    | Coupling 6512-4-M5             | 2   |
| 390            | 10095    | Coupling 6510-8-1/4            | 2   |
| 400            | 10359    | Coupling 6510-8-1/8            | 2   |
| 410            | 10117    | Elbow coupling 6520-4-1/8      | 3   |
| 415            | 10097    | Elbow coupling 6520-4-1/8      | 1   |
| 420            | 10360    | Elbow coupling 6520-8-1/8      | 1   |
| 430            | 10361    | Elbow coupling 6520-4-1/4      | 1   |
| 440            | 10119    | Cross coupling 6600-4          | 1   |
| 450            | 10362    | Coupling Y 6560-4              | 2   |
| 460            | 10363    | Silencer 2991-1/8              | 1   |
| 470            | 10364    | Silencer 2905-M5               | 2   |
| 480            | 10492    | Push button 200-895 start/stop | 2   |
| 500            | 10234    | Hose PA12 4-2.7                | 1   |
| 510            | 10235    | Hose PUR-8/5.7                 | 1   |
| 520            | 10368    | Hose PV10/8                    | 1   |
| 550            | 10493    | Twist knob speed control       | 1   |
| 570            | 10490    | Cylinder complete              | 1   |
| 571            | 33311    | Gasket kit for cylinder        | 1   |
| 580            | 10352    | Valve 358-033-1/8              | 1   |
| 590            | 10108    | Valve 234-945                  | 2   |
| 600            | 10353    | Valve or 81540 001             | 1   |
| 610            | 10240    | Valve 7880-08-13               | 1   |
| 620            | 10546    | T-coupling                     | 1   |
| 630            | 10547    | Reduce                         | 1   |
| 640            | 10548    | Gauge                          | 1   |

**RG-400i 4-TUBE INSERT**

| No. on drawing | Item No. | Description            | Pcs |
|----------------|----------|------------------------|-----|
| 10             | 10345    | Plug GL 28 black       | 1   |
| 20             | 3254     | Stand                  | 1   |
| 30             | 3149     | Stud screw             | 1   |
| 40             | 10343    | Handle I280/65-M8      | 1   |
| 50             | 10454    | Ball RB-6.35           | 1   |
| 60             | 10453    | Spring 1X5X17          | 1   |
| 70             | 3131     | Bayonet pin            | 1   |
| 80             | 37137    | Bushing                | 1   |
| 90             | 37139    | Shaft w. bushing M99   | 1   |
| 100            | 14028    | Nut MHM M8             | 2   |
| 110            | 14088    | Lock washer FBB 8.2 A2 | 2   |
| 120            | 37064    | 4-tube insert          | 1   |
| 130            | 3257     | Guide knob             | 3   |
| 135            | 37138    | Spacer 16              | 2   |
| 140            | 10455    | Plug IKPT 1715S        | 2   |
| 150            | 3279     | Sign warning           | 1   |
| 160            | 10329    | Plug IR20/40/1,5 S     | 1   |
| 170            | 14394    | Screw MC6S M8X40       | 2   |
| 200            | 3139     | Pestle dia. 55         | 1   |
| 210            | 3138     | Pestle dia. 31         | 1   |
| 220            | 3204     | Locking bolt TR12V     | 1   |
| 230            | 3162     | Wrench                 | 0   |

